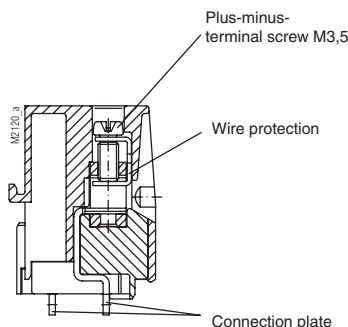


Insulated Enclosure KO 4734

with high current box terminals
for soldering technology



- Width 22.5 mm
- Max. 6 high current box terminals with captive plus-minus-terminal screws
- Electrical connection of PCB to terminal via stranded ferruled



Approval and Marking



Technical Data

Order reference:	beige	grey RAL 7035	blue RAL 5015	clear	black
Base, with one clip PC	KO 4730-	1.6			1.1
Base, with one clip PA (UL)	KO 4730-				1.7
Base, with one clip PBT (UL)	KO 4730-	1.8			
Front frame PC (UL)	KO 4734-	2-2.1			
High current terminal block, 3 terminals PC	KO 4734-	4.5			
High current terminal block, 3 terminals PA (UL)	KO 4734-				4.23
High current terminal block, 3 terminals PBT (UL)	KO 4734-	4.26			

Outer dimensions: 22.5 x 84 x 118 mm

Enclosure material: PC-GF, base black, front beige

Temperature stability:	PC	PA	PBT
Complying with UL 746 B:	125 °C	120 °C	120 °C
Complying with Vicat	Meth. A: 148 °C	212 °C	212 °C
ISO 306	Meth. B:	212 °C	134 °C
Compl. with ISO 75-2	Meth. A:	138 °C	230 °C
	Meth. B:	144 °C	210 °C

Max. permitted power dissipation: 13 W for stand-alone enclosure at normal climate 23/50-1 ISO 554

Specific thermal resistance: $R_{th} = 7.5 \text{ K/W}$ for stand-alone enclosure

Flame retardancy
complying with UL 94: PC: V-0; PC: Plate clear = V-2; PA: V-0; PBT: V-0
Complying with IEC 60707: BH 2-30

Number of terminals: 6, < 6 on request

Terminal material: Steel strip, tin-plated

Max. cross section for connection: 1 x 10 mm² solid
1 x 6 mm² - 12 stranded ferruled DIN 46228-1/-2/-3/-4

Min. cross section for connection: ≥ 1 mm² solid
≥ 0.5 mm² stranded ferruled DIN 46228-1/-2/-3

Insulation of wires length: 11 mm

Max. current carrying capacity: 40 A

Wire fastening: Captive plus-minus-terminal screws M4
box terminals with self raising wire protection

Torque: Max. 1.2 Nm

Inner connection: Solder connection

Enclosure fastener: 1) Snap-on fastener on top hat rail EN 50022
2) Screw fixing M4, grid 90 mm
with additional clip as accessories

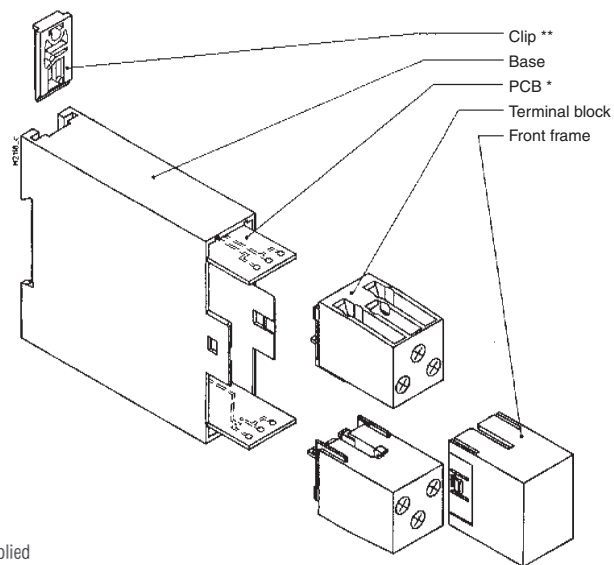
Creepage current resistance: PC: CTI 175 ≅ Insulating material III a IEC 60664-1
PA: CTI 600 ≅ Insulating material I IEC 60664-1
PBT: CTI 225 ≅ Insulating material III IEC 60664-1

Air gap and creepage distance: ≥ 5.5 mm IEC 60664-1

Technical Data

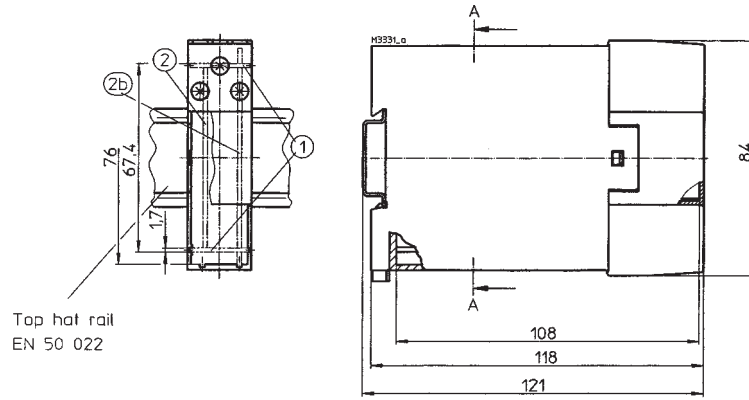
Type of protection:		
Enclosure:	IP 40	IEC 60529
Terminals:	IP 20	IEC 60529
	Contact protection complies with VBG 4	
Print area:	22.5 x 33 mm (on plate)	
Printed circuit board:	See printed circuit design	
Printed circuit board holder:	Guide ribs	
Net weight:	104 g	
Accessories:		
2 clips for screw fastener	ET 4086-0-2	

Exploded view

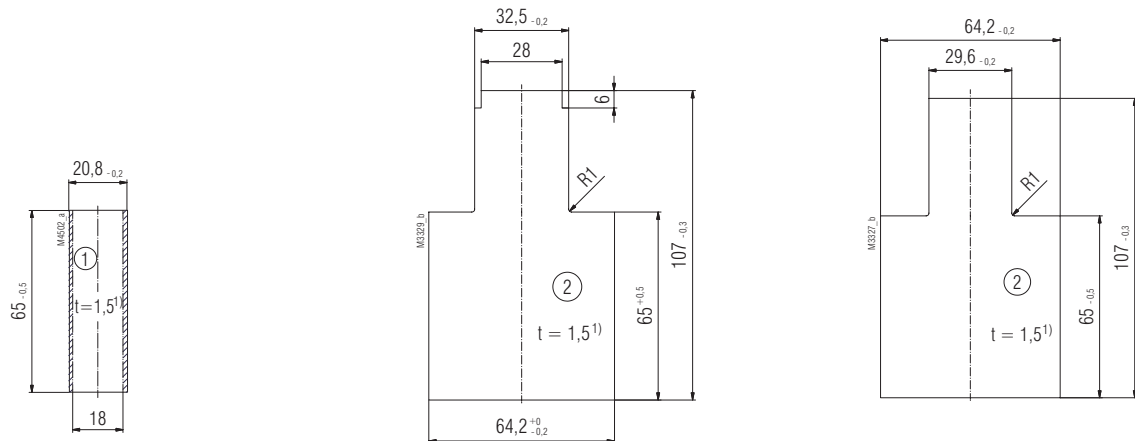



* not supplied
** see accessories

Dimension



Printed circuit board designs



 Inhibited surface

¹⁾ Tolerance to DIN EN 60249-2-4
General tolerance: PERFAG E2

Notes on Housing Opening

1. Tool:

- For all functions use 0.8 x 4.0 or 0.8 x 4.5 screwdriver

2. Removing of terminal blocks and frame:

- Insert a screwdriver in the side recesses of the base (underneath)
- With light pressure, turn the screwdriver to the left or right
- The snap-in lug of the frame disengages
- Repeat disengaging process on opposite side
- Terminal blocks with frame can be removed

