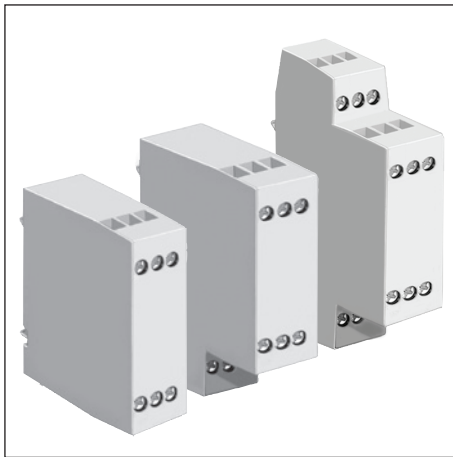
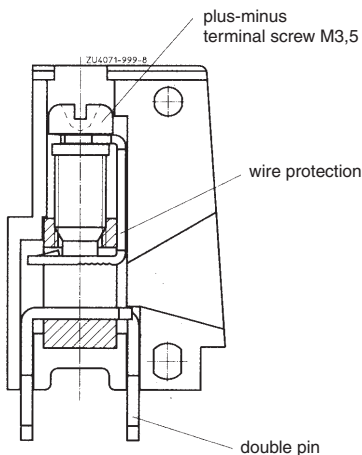


# Insulated Enclosure KO 4074, KO 4075, KO 4076 with box-terminals for machine soldering

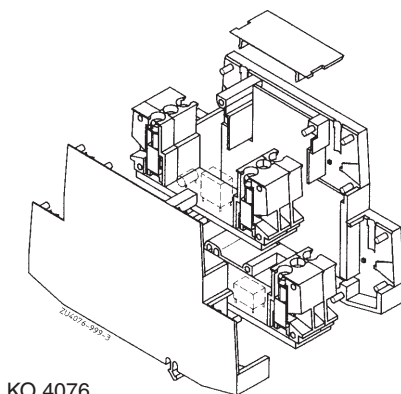


- Width 20.5 mm
- Optionally max. 6, 9 or 12 captive plus-minus-terminal screws
- Mounting of pcb
- With machine solderable double pins
- Optionally with long soldering pin (see drawing "Inner connection")
- Optionally with changeable front plate

Supplied unassembled, in kit form.



Box-terminals with machine-solderable double pins



KO 4076

## Technical Data

Order reference:

Insulated Enclosure with double pin without fixed front plate:	KO 4074.0037227	KO 4075.0037228	KO 4076.0037229
with opaque removable front plate	KO 4074.0039211	KO 4075.0039215	KO 4076.0039217
with clear removable front plate	KO 4074.0039212	KO 4075.0039216	KO 4076.0039218
Insulated Enclosure with long soldering pin without fixed front plate:	KO 4074.0037356	on request	on request
with opaque removable front plate	KO 4074.0039213	on request	on request
with clear removable front plate	KO 4074.0039214	on request	on request

### Outer dimensions:

KO 4074	20.5 x 60 x 60 mm
KO 4075	20.5 x 75 x 60 mm
KO 4076	20.5 x 90 x 60 mm

Enclosure material: PC-GF, light grey RAL 7035

Temperature stability	
complying with UL 746 B:	125 °C
complying with Vicat	
ISO 306 Meth. B:	148 °C
compl. with ISO 75-2 Meth. A:	138 °C
Meth. B:	144 °C

Max. permitted power dissipation: at normal climate 23/50-1  
3 W | 3 W | ISO 554 3 W

Flame retardancy  
complying with UL 94: V-0  
complying with IEC 60 707: BH 2-30

### Number of terminals

KO 4074:	6	} less on request
KO 4075:	9	
KO 4076:	12	

Terminal material: CuSn tin-plated

Max. cross section for connection: 4 mm<sup>2</sup> solid  
2.5 mm<sup>2</sup> stranded ferruled  
2 x 1.5 mm<sup>2</sup> stranded ferruled  
1.5 mm<sup>2</sup> stranded ferruled

DIN 46 228-1/-2/-3  
DIN 46 228-1/-2/-3  
DIN 46 228-4

Insulation of wires length: 8 mm

Max contact resistance to  
Printed circuit board: 10 mΩ  
Max. current carrying capacity: 16 A

Wire fastening: captive plus-minus-terminal screws M3.5  
Box terminals with self-raising wire protection

Torque: max. 0.8 Nm

Inner connection: machine solderable double pins for PCB  
optionally with long soldering pin

Enclosure fastener: Snap-on fastener on top hat rail EN 50 022

Tracking current resistance: CTI 175 ≧ insulating material III a IEC 60 664-1

**Air gap and creepage distances:** ≧ 3.3 mm

Type of protection  
Enclosure: IP 40 IEC 60 529  
Terminal strip: IP 20 IEC 60 529  
contact protection complies with VBG 4

Print area: 33 x 19 mm

### Printed circuit board horizontal

top	8,1 cm <sup>2</sup>	8,1 cm <sup>2</sup>	8,1 cm <sup>2</sup>
bottom	8,7 cm <sup>2</sup>	10,8 cm <sup>2</sup>	12,9 cm <sup>2</sup>
<b>Printed circuit board vertical</b>	23,0 cm <sup>2</sup>	23,0 cm <sup>2</sup>	23,0 cm <sup>2</sup>

Printed circuit board holder  
horizontal: Guide ribs in enclosure  
vertical: 2 cylindrical M2x3 ISO 1207  
(not included in delivery)

Net weight: 33 g | 45 g | 60 g

### Accessories:

KO 4074-2.1:	Terminal block with single solder pins, on request
KO 4074-2.2:	Terminal block with solder lugs, on request
KO 4074-2.3:	Terminal block with double pins
KO 4074-2.4:	Terminal block with long solder pins
KO 4721-7-1.6:	Blanking plug for part insertion

All specifications correspond to the technology used at time of publication.  
We reserve the right to make improvements and changes of a technical nature at any time.

